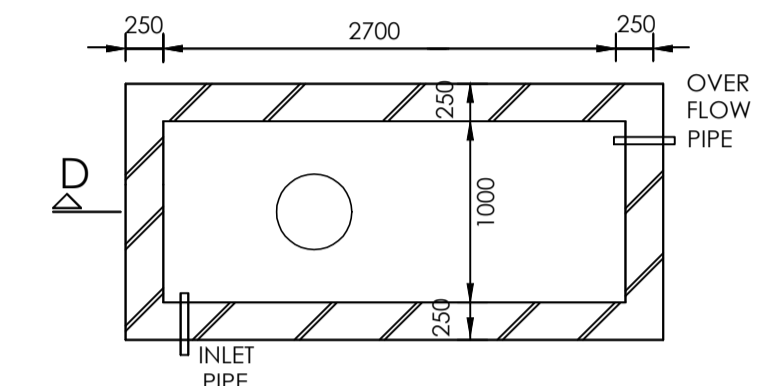


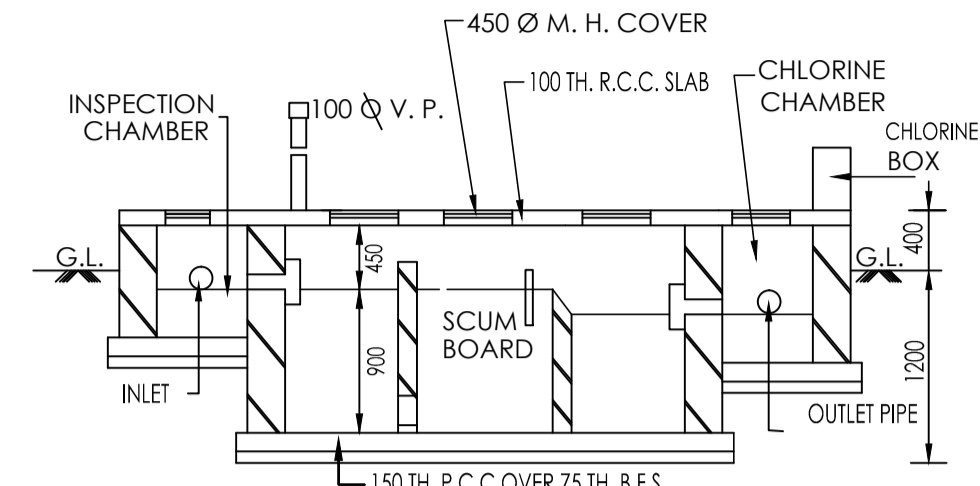
SECTION AT D-D



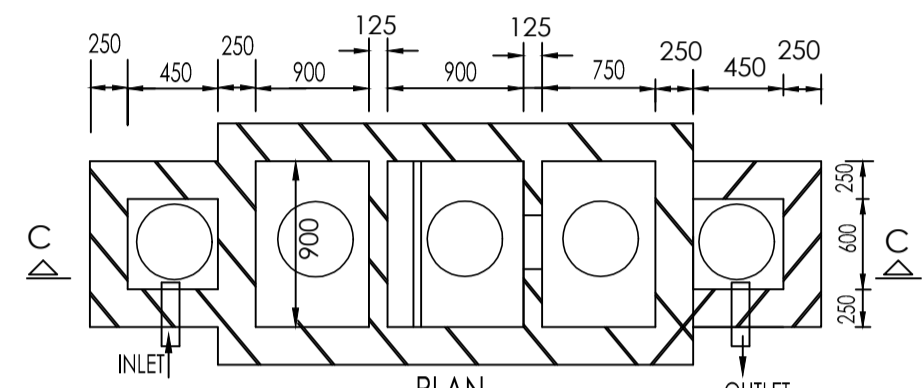
PLAN

DETAIL OF SEMI UNDER GROUND WATER RESERVOIR
CAPACITY - 600 GALLONS

SCALE - 1:50

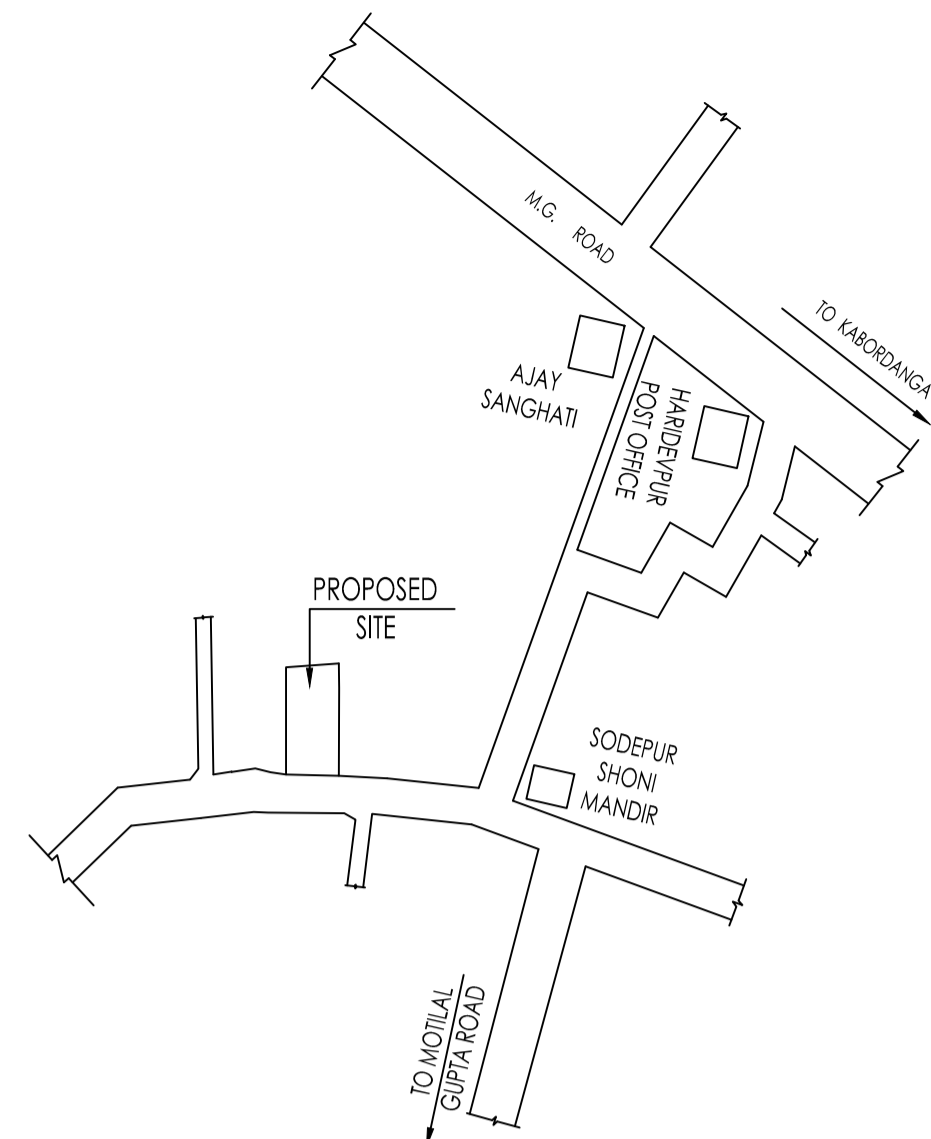


SECTION ON C-C

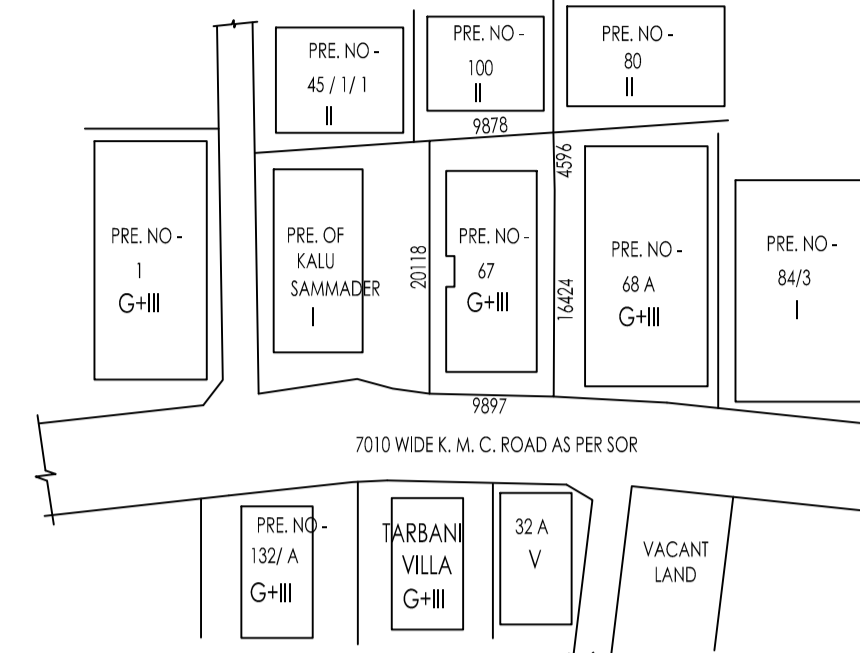


PLAN

DETAIL OF SEPTIC TANK FOR 30 USERS



LOCATION PLAN
SCALE - 1:4000



SITE PLAN
SCALE - 1:4000

AREA STATEMENT

Area Of The Land :- 3 Kh = 200.669 Sqm. [As Per Deed]
Area Of The Land :- 204.17 [As Per Boundary Declaration]
Permissible F. A. R. :- 2.0
Permissible Covered Area :- 401.338 Sqm. + Exempted Area + Car Parking Area
Permissible Ground Coverage :- 120.357 Sqm. (59.978 %)
Proposed Ground Coverage :- 113.613 Sqm. (56.617 %)

	Total Floor Area	(Lift+ Stair) Well Area	Net Floor Area	Exempted Area		Effective Floor Area
				Stair Area	Lift Lobby Area	
Ground Floor Area :-	113.613 Sqm	—	113.613 Sqm	10.465 Sqm	2.328 Sqm	100.820 Sqm
First Floor Area :-	113.613 Sqm	2.115 Sqm	111.498 Sqm	10.465 Sqm	2.083 Sqm	98.950 Sqm
Second Floor Area :-	113.613 Sqm	2.115 Sqm	111.498 Sqm	10.465 Sqm	2.083 Sqm	98.950 Sqm
Third Floor Area :-	113.613 Sqm	2.115 Sqm	111.498 Sqm	10.465 Sqm	2.083 Sqm	98.950 Sqm
Total Floor Area :-	454.452 Sqm	6.345 Sqm	448.107 Sqm	41.860 Sqm	8.577 Sqm	397.670 Sqm

Proposed F. A. R. :- $\frac{397.670 - 25.0}{200.669} = 1.857$

No. Of Tenament :- 7 Nos.

Size Of Tenament :-

Tenament Marked	Tenament Number	Tenament Area In Sqm.	Total Common Area / Total Tenament Area	Actual Tenament Area In Sqm.
A2/3/4	03	48.56	8.467	57.027
B1/2/3/4	04	48.782	8.506	57.288

Area Of Shop :- (a) Covered :- 21.115 Sqm. (b) Carpet :- 18.453 Sqm.

Area Of Car Parking :- 26.753 Sqm.

No. Car Parking Space - (a) Mandatory - 01 No. (b) Provided - 01 No.

Area Of C. B. Area - 7.800 Sqm.

Area Of O. H. W. Tank Area :- 5.843 Sqm.

Area Of Stair Head Room Area :- 13.253 Sqm.

Area Of Lift Machine Room Area :- 5.416 Sqm.

Area Of Lift Machine Room Stair Area :- 1.85 Sqm.

STATEMENT OF THE PLAN PROPOSAL.

A.	B.
1. Assessee NO. - 41 - 115 - 03 - 0067 - 1	1. Ground Coverage
2. Details of Deed of Coveyance - Book No. - 1, Volume No. - 4, Page No. - 59 To 66, Being No. - 237, Date - 19/03/1976. At S. R. - Alipore.	a) Permissible :- 120.357 Sqm. b) Proposed :- 113.613 Sqm.
3. Details of Deed of Gift - Book No. - 1, Volume No. - 1602 - 2017, Page No. - 62143 To 62148, Being No. - 160202243, Date - 23/03/2017. At D. S. R. - II, South 24 Parganas.	2. F. A. R. :- a) Permissible :- 2.0 (b) Proposed :- 1.857
4. Details of Deed of Conveyance - Book No. - 1, Volume No. - 1602 - 2022, Page No. - 201878 To 201899, Being No. - 160204667, Date - 25/04/2022. At D. S. R. - II, South 24 Parganas.	3) Total covered area :- a) Permissible - 401.338 Sqm. + Exempted Area + Car Parking Area b) Pro.-i) 448.107 Sqm. (Including exempted area) ii) 397.670 Sqm. (Excluding exempted area) iii) 50.437 Sqm. (Exempted area)
5. Details of Deed of Conveyance - Book No. - 1, Volume No. - 1602 - 2023, Page No. - 526835 To 526859, Being No. - 160214300, Date - 31/10/2023. At D. S. R. - II, South 24 Parganas.	5. Total car parking area :- 26.753 Sqm.
6. Details of Boundary Declaration :- Book No. - 1, Volume No. - 1602 - 2024, Page No. - 192345 To 192356, Being No. - 160205582, Date - 25/04/2024. At D. S. R. - II, SOUTH 24 - PARGANAS.	6. No. of car parking space:- a) Mandatory :- 1 No. (b) Proposed :- 1 No.
7. Details Of Non - Eviction Of Tenant :- Book No. - 1, Volume No. - 1602 - 2024, Page No. - 251129 To 251139, Being No. - 160207370, Date - 29/05/2024. At D. S. R. - II South 24- Parganas.	7. Tree Cover area (REQ.) :- 2.247 Sqm. (1.120%) 8. Tree Cover area (PRO.) :- 5.931 Sqm. (2.956%)
8. a. Area Of Land :- 200.669 Sqm. (As Per Deed)	
b. Area Of Land :- 204.17 Sqm. (As Per Boundary Declaration.)	

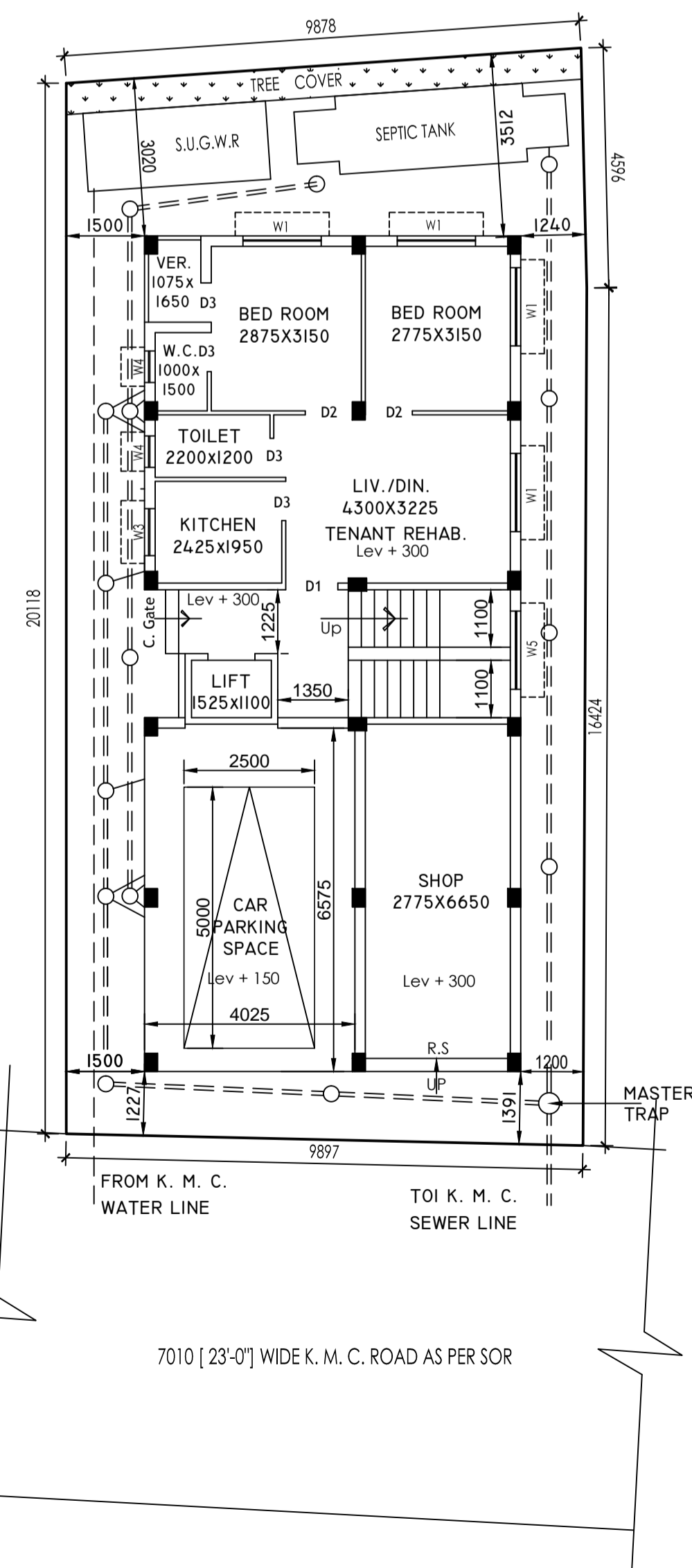
CERTIFICATE
PREMISES NO. : 67, HAFIZ MD. ISHAQUE ROAD
ASSESSEE NO. : 41-115-03-0067-1
NAME OF APPLICANT : INDRAJIT DAS
AREA OF LAND : 204.17 Sqm.
NAME OF L. B. S. : KUSH KUNDU
NO. : LBS/1/1412.

REFERENCE POINTS MARKED IN THE SITE PLAN OF THE PROPOSAL	Co-ORDINATE IN WGS 84		Site elevation (AMSL)
	LATITUDE	LONGITUDE	
A	22° 28'59.02" N	88° 19' 58.51" E	8 Mtr.

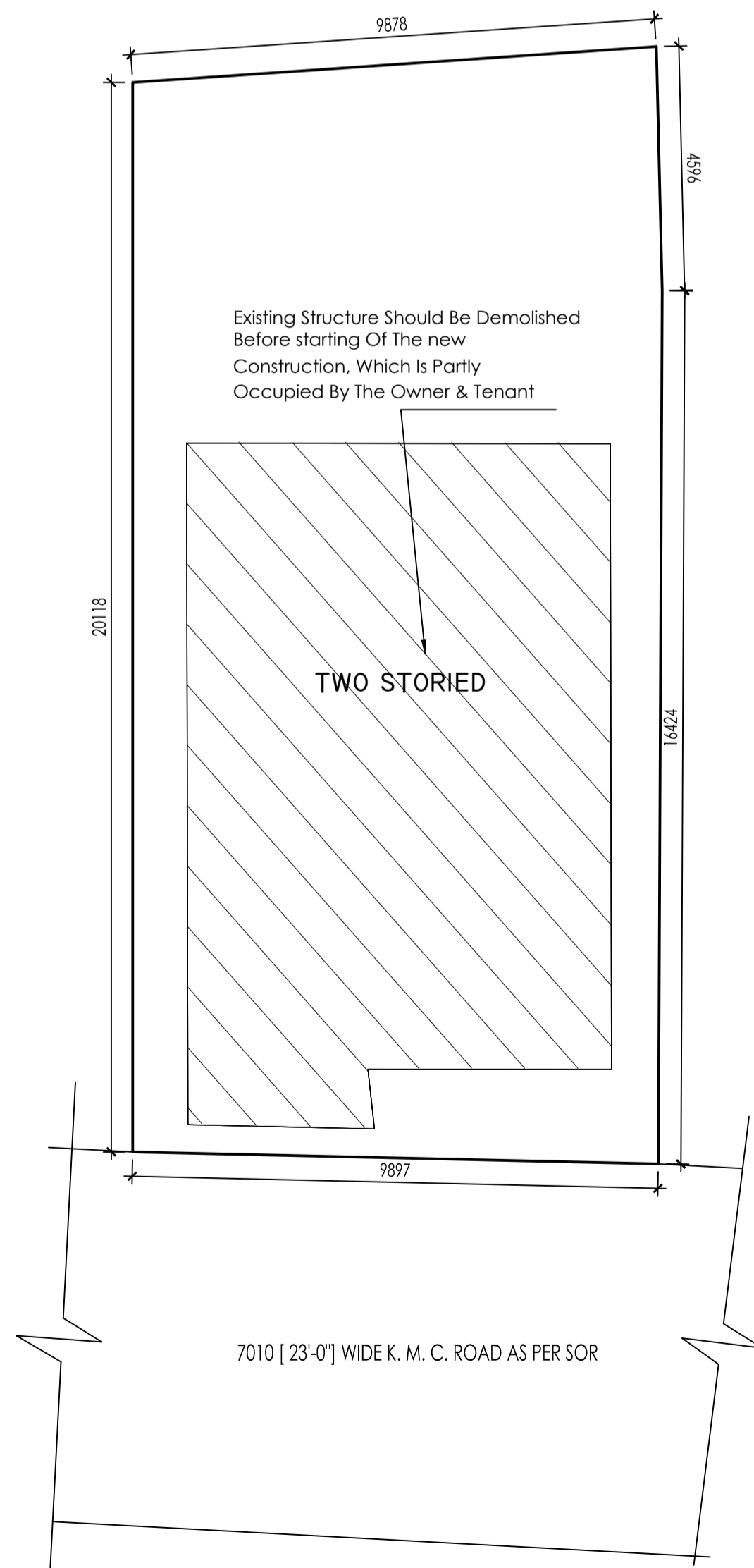
THE ABOVE INFORMATION IS TRUE AND CORRECT IN ALL RESPECT AND IF AT ANY STAGE, IT IS FOUND OTHERWISE, THEN WE SHALL BE FULLY LIABLE FOR WHICH KMC AND OTHER APPROPRIATE AUTHORITY RESERVE THE RIGHT TO TAKE APPROPRIATE ACTION AGAINST ME AS PER LAW.

SRI INDRAJIT DAS
NAME OF APPLICANT/S

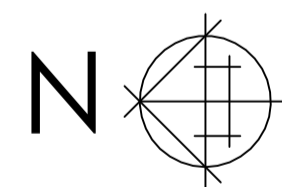
KUSH KUNDU
LBS - 1 / 1412
NAME OF L. B. S.



GROUND FLOOR PLAN
SCALE - 1:100



EXISTING STRUCTURE PLAN
SCALE=1:100



The structural design and drawing of the both foundation and super structure of the building have been made by me considering all the possible loads including seismic load as per the National Building code of India latest revision and certify that it is safe and stable in all respect.

Soil Testing Report Has Been Done By CIVIL TECH, At 48 A, Garfa Main Road, Kolkata - 700075, duly signed by BHASKARJYOTI ROY, (G. T. No - 1 / 50)

The Recommendations Of Soil Report Has Been Considered During Structural Calculation.

Subhra Das
E. S. E. NO - II / 658
NAME OF THE E. S. E.

FOR OFFICE USE :-

B. P. NO :- 2025130026

DATE :- 23.05.2025

VALID UPTO :- 22.05.2030

I do certify with full responsibility that the building plan has been drawn as per provision of K. M. C. building rules 2009, as amended from time to time and the site condition including width of the abutting black top road on western side 7010, conforming with the site and it is a buildable site not a tank or filled up tank. It is bounded by boundary wall.

KUSH KUNDU
L. B. S. NO - 1 / 1412
NAME OF THE L. B. S.

Undersigned has inspected the site & carried out the soil investigation therein. It is certified that existing soil of the site is able to carry out the load from the proposed construction and the foundation system therein is safe & stable in all respect from Geo - Technical point of view.

Bhaskar Jyoti Roy
G.T. NO - 1 / 50
NAME OF THE G. T. E.

I do hereby undertake with full responsibility that-

- I shall engage L.B.S & E.S.E during Construction.
- I shall follow the instruction of L.B.S & E.S.E during Construction of the building (As per B.S.plan)
- K. M. C. authority will not be responsible for Structural Stability of the building & adjoining structure.
- If any submitted documents are found to be fake, the K. M. C. authority will revoke the sanction plan.
- The construction of water reservoir and septic tank will be under the guidance of L. B. S./ E. S. E.
- During site inspection We were physically present & identified the plot on which plan proposal submitted.

Mr. Indrajit Das
NAME OF THE OWNER

PROPOSED PLAN OF G + THREE STORIED RESIDENTIAL BUILDING AT PREMISES NO.- 67,HAFIZ MD. ISHAQUE ROAD ,UNDER K. M. C. WARD NO - 115, BOROUGH NO.- XIII, U/S 393 A OF K. M. C. ACT 1980 UNDER BUILDING RULES 2009.

DIGITAL SIGNATURE OF A. E.

ARCHITECTURAL SHEET NO - 2/2.